

## N-6000 Intelligent Addressable Fire Alarm Systems

Section: Intelligent Fire Alarm Control Panels

### General

The **N-6000** is an intelligent Fire Alarm Control Panel designed for medium size facilities. Fire emergency detection and evacuation are extremely critical to life safety, and the N-6000 is ideally suited for these applications. The N-6000 is a new line of products from NOTIFIER®.

The N-6000 is ideal for virtually any application because it features a modular design that is configured per project requirements. With two to eight Signaling Line Circuits (SLCs), the N-6000 supports up to 1,584 intelligent addressable devices.

Information is critical to fire evacuation personnel, and the N-6000's large 1060 character Liquid Crystal Display (LCD) presents vital information to operators concerning a fire situation, fire progression and evacuation details.

A host of other options are available, including firefighters telephone; LED or LCD annunciators, integral printer, and many additional options.

### Features

- Two to eight isolated intelligent Signaling Line Circuits (SLC) Style 4 or 6.
- Up to 198 detectors (any mix of photo or thermal); OR 99 detectors (any mix of photo or thermal) and 99 modules (N.O. manual stations, two-wire smoke, notification, or relay) per SLC.
- 198 addressable devices per loop.
- Total capacity of 1,584 addressable devices per Fire Alarm Control Panel.
- Large 1060-character LCD backlit display (20 lines × 53 characters).



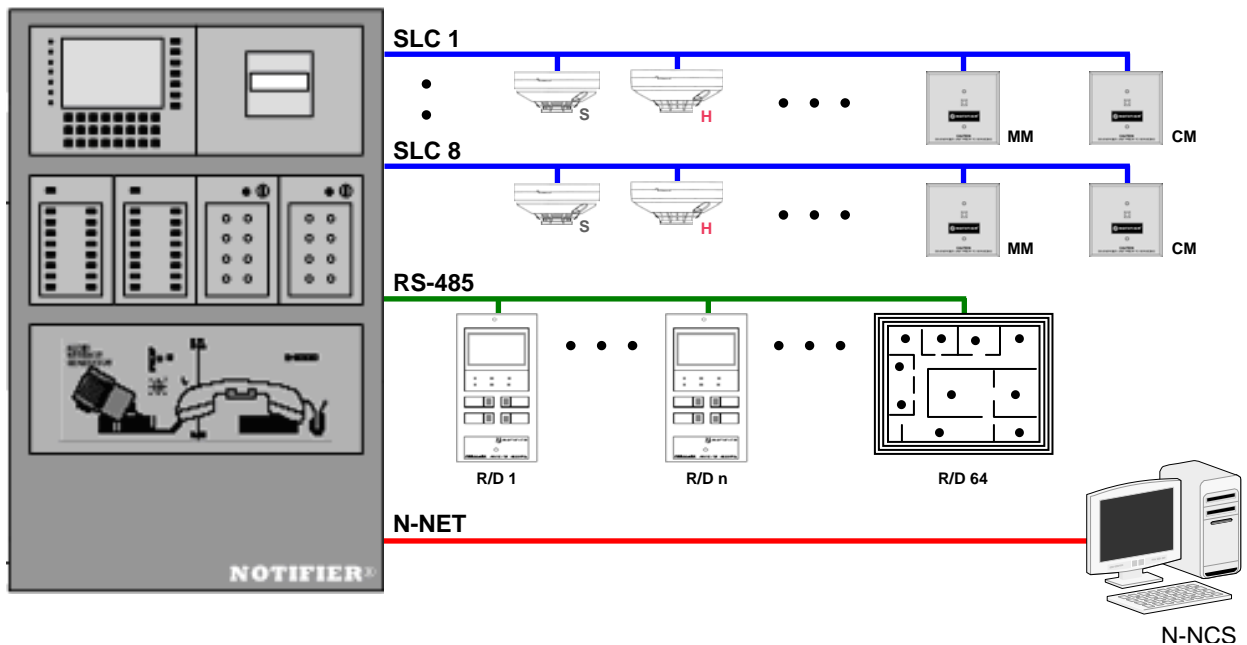
- Network option – supports N-6000 or N-NCS Network Control Station.
- Built-in Alarm, Trouble and Supervisory relays.
- **N-VFT** online/ offline program option.
- Built-in Degraded Mode option. In the event of a CPU failure, the system is capable of generate alarm if a fire condition is present.
- History files with 4,000-event capacity in nonvolatile memory.

NOTIFIER® is registered trademark of Honeywell International Inc.

©2006 Honeywell International Inc. All rights reserved. Unauthorized use of this document is strictly prohibited.

This document is not intended to be used for installation purposes. We try to keep our product information up-to-date and accurate. We cannot cover all specific applications or anticipate all requirements. All specifications are subject to change without notice. For more information, please contact NOTIFIER. Phone: +886 (2) 22487171 Fax: +886 (2) 22450927

## System Architecture



- Advanced history filters.
- Autoprogramming and Walk Test.
- Field-programmable on panel or offline on PC with N-VFT programming software tools.
- Powerful Boolean logic equations – 1,000!
- Support RS-485 annunciators.
- Supports integral printer on panel.
- **1060-character display features:**
  - Backlit, 1060-character display.
  - Program keypad: full QWERTY keypad.
  - Up to three access levels, each with its own password
  - **11 LED Indicators:** Power; Fire Alarm; Pre-Alarm; Trouble; Self-Test; CBE; Delay; Signals Silenced; Point Disabled; Supervisory; CPU Failure.
  - **Membrane Switch Controls:** Acknowledge; Signal Silence; Fire Alarm/ Pre-Alarm; Trouble/ Horn/ Strobe; Supervision/ Feedback; CBE/ Delay;

Manual/ Automatic; Lamp Inspection/ Self-test; System Reset.

- **Operation Keys:** Menu; Help; Escape; Enter; Navigation Keys.
- **LCD Display:** 1060 characters (20 × 53), with 320 × 240 Pixel LCD

### Specification

- Primary input power, MPS-350W:
  - 220VAC, 50/60 Hz, 1.5 Amps;
  - 110VAC, 50/60 Hz, 3.0 Amps
  - Total output 24V power: 14.6 A in alarm
  - General purpose power: 1.0A
  - Battery charger ranges: 25AH – 55AH, use separate cabinet for batteries over 25AH
  - Float Rate: 27.6V
- Temperature and humidity ranges:
  - Temperature: 0 to 50 °C
  - Humidity: 5% to 95% non-condensing

This document is not intended to be used for installation purposes. We try to keep our product information up-to-date and accurate. We cannot cover all specific applications or anticipate all requirements. All specifications are subject to change without notice. For more information, please contact NOTIFIER. Phone: +886 (2) 22487171 Fax: +886 (2) 22450927



## System Capacity

- Intelligent Signal Line Circuits .....2 expandable to 8
- Intelligent devices per loop .....198 per loop
- Programmable software zones..... 1,000 per panel
- RS-485 annunciators per N-6000 ..... 32 per panel
- Integral printers per N-6000 ..... 1 per panel

## Compatible Intelligent Devices

- Intelligent Detectors
  - **ND-751P-E:** Intelligent Photoelectric Smoke Detector
  - **ND-751T-E:** Intelligent Thermal Detector
  - **B601-E:** Common Intelligent Detector Base
- Intelligent Modules
  - **MMX-7-E:** Intelligent Monitor Module
  - **MMX-7P-E:** Intelligent Interface Monitor Module
  - **CMX-7-E:** Intelligent Control/ Monitor Module
  - **CMX-7C-E:** Intelligent Output Module
  - **ISO-7-E:** Isolator module

## Other Options

- **MCU-16:** RS-485 16 points annunciation and control modules
- **LCD-100-B-E/64, -B-E/128, -B-E/256:** Surface/ Flush mounted RS-485 LCD annunciators, Chinese/ English display, support up to 256 points
- **LDM-64B:** Lamp driver module, support up to 64 programmable output signals
- **uPRT-380S:** Optional integral micro printer
- **N-VFT:** Offline programming/software tool
- **N-NCS:** Network Control Station Software

## Field Programming Options

**Autoprogram** is a timesaving feature of the N-6000. It is a special software routine that allows the N-6000 to “learn” what devices are physically connected and automatically load them in the program with default values for all parameters. Requiring less than one minute to run, this routine allows the user to have almost immediate fire protection in a new installation, even if only a portion of the detectors are installed.

**Keypad Program Edit.** The N-6000, like all NOTIFIER intelligent panels, has the exclusive feature of program creation and editing capability from the front panel keypad, *while continuing to provide fire protection.*

**N-VFT Tools** is an offline programming and test utility that can greatly reduce installation programming time, and increase confidence in the site-specific software. It is Window® based and provides technologically advanced capabilities to aid the installer. The installer may create the entire program for the N-6000 in the comfort of the office, test it, store a backup file, then bring it to the site and download from a laptop into the panel.

## Address Encoder

All the N-6000 intelligent peripherals are software addressing, they require an address encoder to write the associated addresses. The CP900 is a handheld programmer device with numeric keypad and LCD. It has embedded CPU and is used to read and write the address for all ND700 series products. The operating voltage of the CP900 is 18VDC, which is supplied by two 9V batteries.

Users can firstly key-in the address by the numeric keypad and that address will be displayed on the LCD. The address will be automatically written into peripheral after confirmation through communication bus. Besides, users can also read the address of the peripherals which has been written previously from the encoder.



Address Encoder

This document is not intended to be used for installation purposes. We try to keep our product information up-to-date and accurate. We cannot cover all specific applications or anticipate all requirements. All specifications are subject to change without notice. For more information, please contact NOTIFIER. Phone: +886 (2) 22487171 Fax: +886 (2) 22450927

