

PC-2852

CEILING MOUNT SPEAKER 8INCH COAX 15W



Integrated with a speaker unit and panel, the PC-2852 Ceiling Mount Speaker is of all metallic construction and ideal for use in a voice alarm system. It features a spring clamp mechanism for easy speaker mounting to the ceiling. The input impedance can be easily changed by changing the tap position of the transformer. The push-in type input terminal block makes cable connections easy and allows bridge wiring.

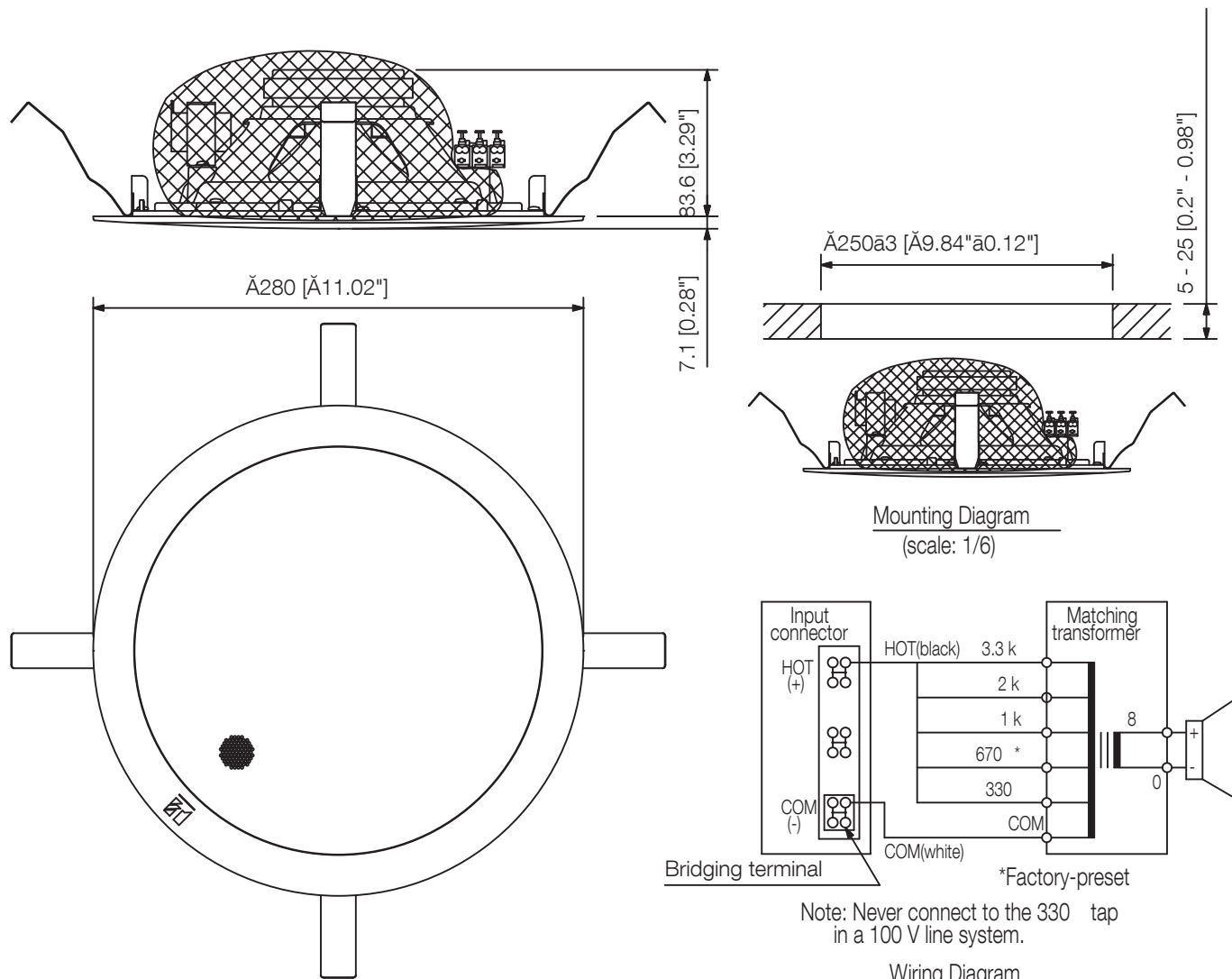
Key features

- 20 cm speaker
- Rated input 15 W
- Very high sound pressure level
- For paging and BGM
- Easy installation with spring catches
- Push-in terminals
- Bridge wiring

Specifications

Rated Input	15 W (100 V, 70 V line)
Rated Impedance	100 V line: 670 Ω (15 W), 1 k Ω (10 W), 2 k Ω (5 W), 3.3 k Ω (3 W) 70 V line: 330 Ω (15 W), 670 Ω (7.5 W), 1 k Ω (5 W), 2 k Ω (2.5 W), 3.3 k Ω (1.5 W)
Sensitivity	96 dB (1 W, 1 m) (500 Hz - 5 kHz, pink noise)
Frequency Response	45 Hz - 20 kHz (peak -20 dB)
Speaker Component	20 cm (8) coaxial cone-type
Mounting Hole	Mounting hole: #250 \pm 3 mm (#9.84 \pm 0.12") Ceiling thickness: 5 - 25 mm (0.2 - 0.98")
Speaker Mounting Method	Spring clamp
Cable Requirements	600 V vinyl-insulated cable (IV wire or HIV wire) Solid copper wire: #0.8 - #1.6 mm (equivalent to AWG 20 - 14) 7-core twisted copper wire: 0.75 - 1.25 mm# (equivalent to AWG 18 - 16)
Connection	Push-in connector (bridging terminal-2 branch type)
Finish	Baffle: Steel plate, white (RAL 9016 equivalent), paint Grille: Surface-treated steel plate net, white (RAL 9016 equivalent), paint
Dimensions	#280 x 92 (D) mm (#11.02 x 3.62")
Weight	1.6 kg (3.53 lb)
Included Accessories	Paper pattern ... 1

Dimensions



UNIT:mm SCALE:1/4

A&E specifications

2-Way ceiling speakers in 100 V technique, round, white metal front Grill with white metal ring (RAL 9010), simple installation with spring clip system, fast cable fastening by means of cable clamp with through loop connection, high sound pressure and sound fidelity through 200 mm 2-way coaxial system