

PM-660D

PAGING MICROPHONE



Designed for paging calls and general announcements, the PM-660D desk-top microphone comes with a large talk switch and a lock lever for easy and convenient operation. Its robust anti-vibration construction and balanced output render the microphone resistive to noise. In addition, the PM-660U microphone is equipped with a remote control switch (interlocked with the talk switch) for amplifier power on/off operation or chime activation.

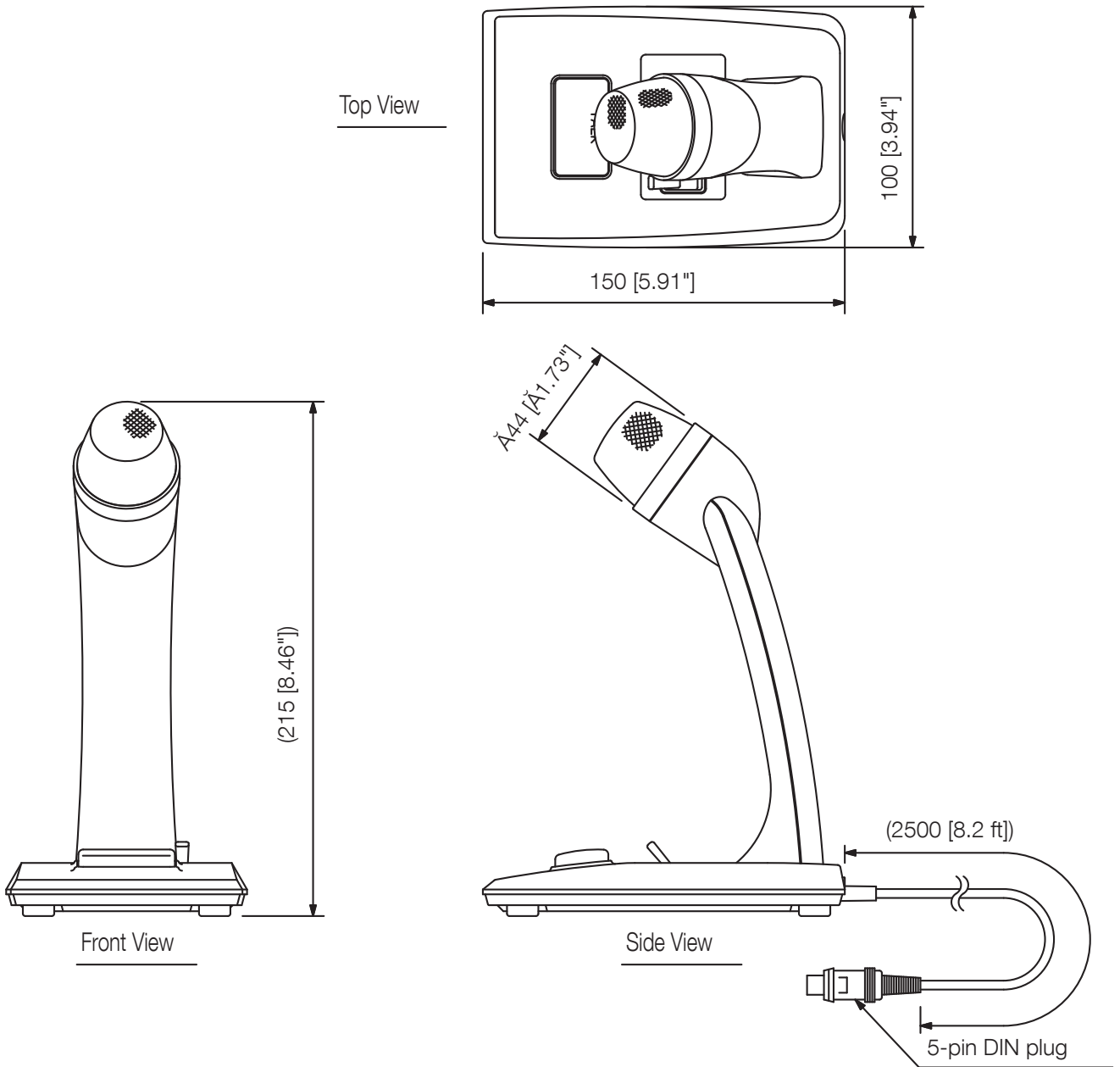
Key features

- Short-off talk switch with locking lever or openoff type switch contact
- Low handling noise
- 5-pin DIN-plug
- Talk-switch with contact for remote control

Specifications

Type	Moving coil microphone
Polar Pattern	Unidirectional
Impedance	600 Ω , Balanced
Sensitivity	-58 dB (1 kHz, 0 dB=1 V/Pa)
Frequency Response	100 Hz - 10 kHz
Output	4-conductor (2-shielded) cable (2.5 m (8.2 ft) with 5-pin DIN plug
Talk Switch	1-push-to-talk switch, 1-locking lever, Short-off type
Remote Control	500 mA or less at 30 V DC
Operating Temperature	-10 °C to +50 °C (14 # to 122 #)
Operating Humidity	95 %RH or less (no condensation)
Finish	Microphone head: Zinc plated steel wire, gray baked paint Main unit: ABS resin, gray
Dimensions	100 (W) x 212 (H) x 150 (D) mm (3.94 x 8.35" x 5.91")"
Weight	400 g (0.88 lb) (cord excluded)

Dimensions



UNIT:mm SCALE:1/3

Note: Numerical values in parentheses are for reference only.

A&E specifications

Dynamic table microphone in beautifully shaped enclosure with lockable talk button, closing pre out separately, contact of the talk button.