



# TX7004

## Intelligent Addressable Fire Alarm Control Panel

### Features and Benefits

- Certified EN54-2:1997 + A1:2006, EN54-4:1997 + A1:2002 + A2:2006
- LPCB Approved
- Using advance microprocessor technology with Large memory capacity
- Enhance user interface combining LCD Touch screen and keypad access
- Support real time visual algorithm
- Enhance false alarm prevention
- Keypad and PC programming
- Built-in Multiple interface protocol such as USB/Ethernet/CanBus/ Serial/RS485 (Available only in TX7004/4 Panel)
- Support Loop Powered devices for extra saving on cable cost
- Built-In Printer and 160 LED Zones Indicators

### System Capacity

- Maximum 4 loop in network application built-in 4-in-1 Communication card
- Maximum 6 loop in standalone basis.
- Support 254 Devices (1,524 ideal)
- Network up to 512 Node
- Programmable Capacity
- Zones up to 3000
- Sounders Groups 1-1000
- Modules Groups 1001- 2000
- Built-in 160 LED Zones Indicator

### Overview

The TX7004 comprise of a range of analogue addressable, microprocessor based fire alarm control equipment to offer flexibility in both design and operation. The System is modular concept for easy tailoring of system design, to meet the full requirements of the project. The TX7004 Intelligent Fire Alarm Control Panel is designed and manufactured to meet the requirement of BS EN54 Part 2&4.

The TX7004 is designed to provide early warning fire detection, to quickly identify the location of fire and provide user definable text informing the occupants of the building of potential smoke spread. Simultaneously, the TX7004 will alert and evacuate the occupants, and control all necessary auxiliary command functions such as elevator control, air handling shut down, gas shut off & damper control, as per the cause and effects requirements configured though Command Builder Set-up.

### Commissioning Advantage

- Auto Enrolling of Devices
- Loop Mapping with colour coding status
- Monitor device mismatch and dual address conflict
- Command Builder to create requirements for fire event scenario
- With Loop protection against power surge
- One-man test with On/Off sounder Programming Protection

## Technical Specification

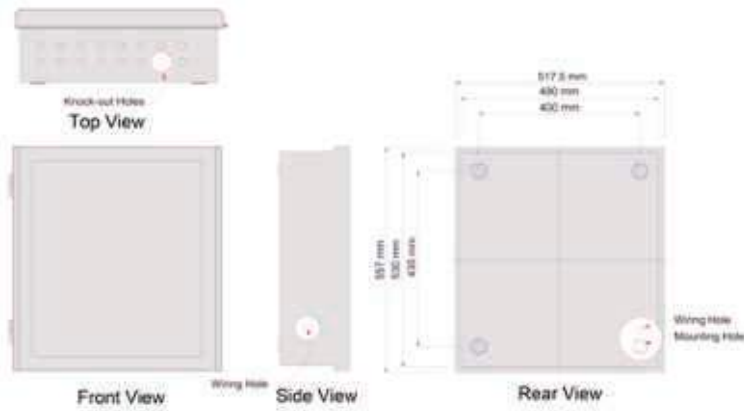
<b>Listed</b>	LPCB / CE-CPR
<b>Certified</b>	EN54-2:1997 +A1:2006, EN54-4:1997 + A1:2002 + A2:2006
<b>Power Rating</b>	
<b>Input Voltage</b>	240VAC +10%-15%, 50/60Hz
<b>Input Current Consumption</b>	1 A
<b>PSU Output to CIE</b>	24.5 to 28.5 VDC
<b>Batteries</b>	2 x 12V / 24AH
<b>Networking and Interfaces</b>	
<b>Panel to panel communication</b>	Can Bus [loop]
<b>Number of Panels</b>	512
<b>Interface Card</b>	USB, RS485 Serial, RS232 Serial, Ethernet
<b>System Capacity</b>	
<b>Memory [Non-Volatile]</b>	1000 Fire Events, 10,000 General Event
<b>Zones</b>	3,000 programmable
<b>Total Group</b>	3,000 programmable
<b>Sounder Group</b>	1,000 programmable
<b>Common Group</b>	2,000 programmable

<b>Loop Specifications</b>	
<b>Protocol/ Addressing</b>	T&A, Value range from 1 to 254
<b>No. of Loop</b>	4 Loop
<b>Protection</b>	Built-in 4kV Surge protection
<b>Power rating</b>	16 to 24Vdc
<b>Cabling</b>	1.2Km Max Length/2 x 1.5mm <sup>2</sup> solid core Fire resistance
<b>Input/outputs</b>	
<b>Programmable Relays</b>	4 circuits: Normally Open/Close
<b>Programmable Input</b>	1 Circuit: Power limited 24Vdc (for future use)
<b>Programmable Auxiliary Power</b>	19 t0 28 VDC (Note: Current Limited)
<b>Fixed Outputs (FPE/Sounder)</b>	2 Circuits: 18 t0 28 VDC (Note: Current Limited)
<b>Indicator</b>	24 LED Status/ 160 Zone Indicators
<b>Display</b>	7" TFT Touch Screen
<b>Keypad</b>	5 Brigade buttons and Programming Keypad
<b>Material / Color</b>	Flat sheet Metal / with outer glass door, Orange stripe
<b>Dimension Lx W x H</b>	530 mm x 490 mm x 135 mm
<b>Weight</b>	16.70 Kg
<b>Humidity</b>	0 to 95% Relative Humidity, Non condensing

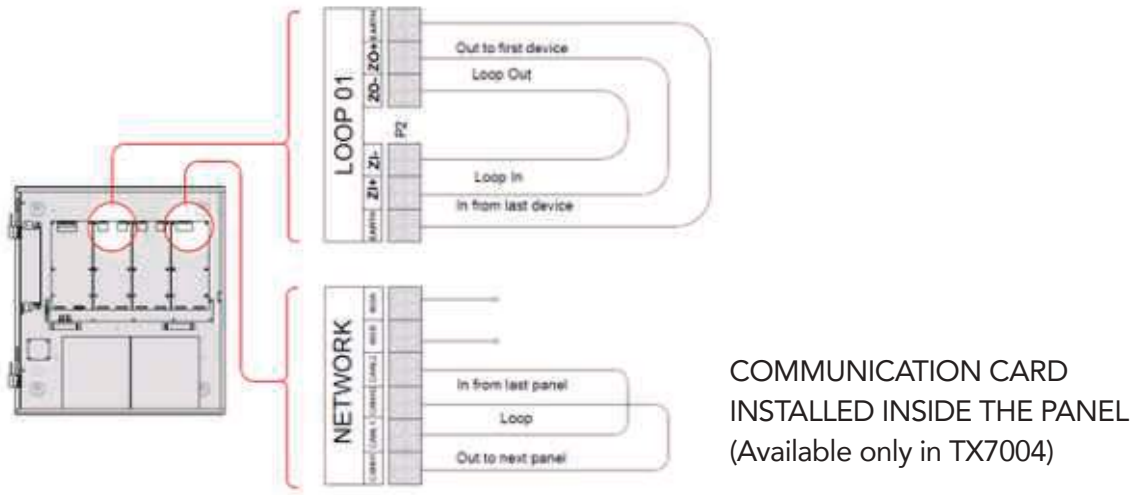
## Ordering Information

<b>TX7004/1</b>	1 Loop LPCB Approved .7" LCD display touch screen, Fitted with 1x Single Loop Card, basic configuration up to 254 Addressable Devices, expandable to 6-loop by adding loop card. NO Glass door and Optional Printer. Optional 4-in-1 Communication Card
<b>TX7004/2</b>	2 Loop LPCB Approved .7" LCD display touch screen, Fitted with 1x Dual Loop Card, basic configuration up to 508 Addressable Devices, expandable to 6-loop by adding loop card. Built-in Glass Door and Printer. Optional 4-in-1 Communication Card
<b>TX7004</b>	4 Loop LPCB Approved .7" LCD display touch screen, Fitted with 2x Dual Loop Card, basic configuration up to 1016 Addressable Devices, expandable to 6-loop by adding loop card. Built-in Glass Door and Printer. Built-in 4-in-1 Communication Card

## Cabinet Details



## Loop and Network Wiring Details



## Input/output Wiring Details

