

TX7110

Intelligent Dual Heat Detector



Features and Benefits

- EN 54-5:2000 + A1:2002 Compliance
- LPCB Approved
- Using microprocessor technology with memory capacity up to 10 events
- Analogue sensor and digital addressing
- Provide real time algorithm to the control panel
- 360-degree visual indicator
- Onsite Adjustable Parameter
- Ancillary remote indicator output
- Aesthetically pleasing design

Overview

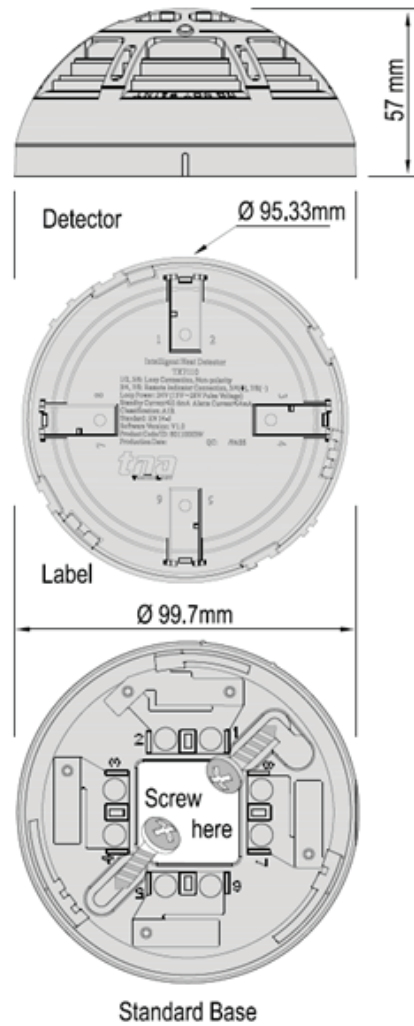
The TX7110 Intelligent Fixed and Rate of Rise Heat Detector is reliable for application in places where may have high dust level or smoky environments, making a normal smoke detector undesirable. The unit manufactured base on the sensitivity requirement of EN 54 part 5, European Standard. The unit is aesthetically pleasing with unobtrusive design that will complement modern building designs. The unit incorporates an intelligent processor that provides inbuilt A/D converter, and Self-Diagnosis and History log.

In the event of fire, the integral microprocessor analyses the signal according to factors such as signal strength and rate of increase, then confirms these patterns with the pre-programmed fire scenarios, heat patterns including rate of rise temperature patterns, for a faster and safer response. Once it is confirmed, the LED indicates the sensor status and parallel sending communication signal to the control panel. The TX7110 detector is compatible to the TX7004 Analogue Intelligent Fire Alarm Control Panel, produced by single manufacture T&A, to avoid addressable communication compatibility problem.

Technical Specification

Listed	LPCB / CE-CPR
Certified	EN 54-5:2000 + A1:2002
Power Rating	
Input Voltage	24VDC [16V to 28V]
Current Consumption	Standby 0.6mA, Alarm: 4mA
Detector	
Protocol/ Addressing	T&A, Value range from 1 to 254
Heat Class Type	A1R
Indicator	Single LED / 360-degree Visual
Material / Colour	ABS / White Glossy finishing
Dimension / Height	Diameter 99.7 mm / 57 mm
Weight	127g (with Base), 72g (without Base)
Operating Temperature	-10°C to +50°C
Humidity	0 to 95% Relative Humidity, Non condensing

Detector and Wiring Details



Terminal Description

1. Signal In (+)
2. Signal Out (+)
3. Remote Indicator (+)
4. Remote Indicator (+)
5. Signal In (-)
6. Signal Out (-)
7. Remote Indicator (-)
8. Remote Indicator (-)

